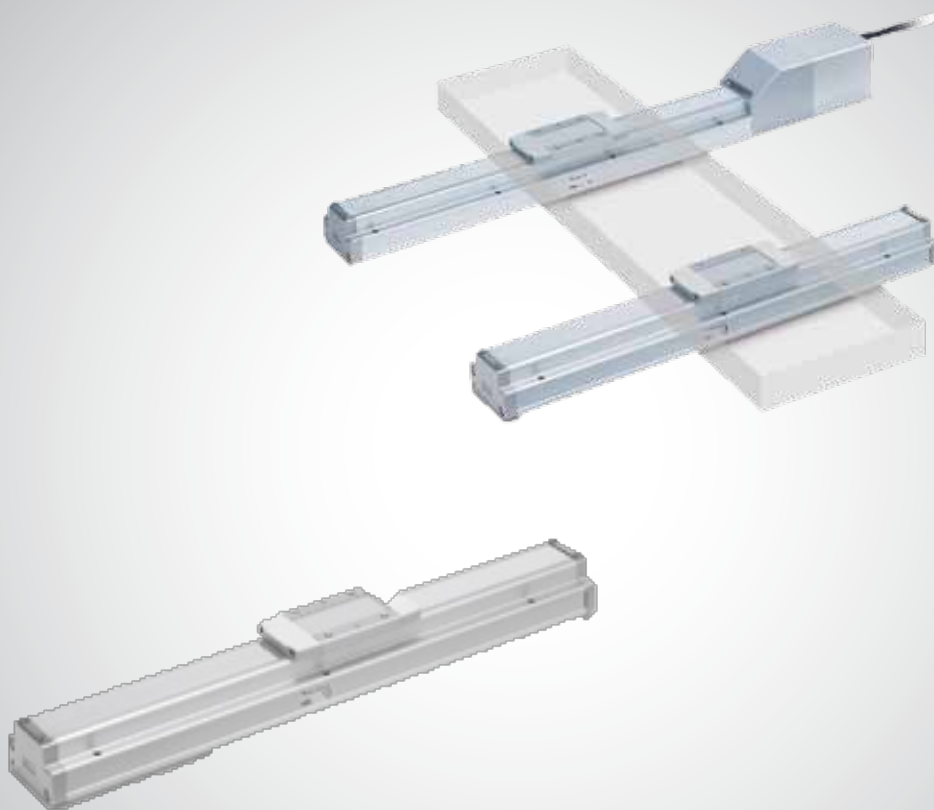


Traffa



TRAFFA
TECHNISCHES BÜRO

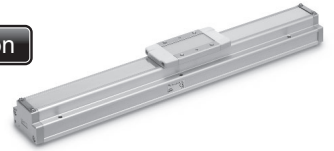
Elektrischer Antrieb Spindel LEFG-BT



Innovative Antriebslösungen

Der optimale Antrieb individuell für Ihre Anforderung

Model Selection



LEFG Series ▶ p. 115, 162

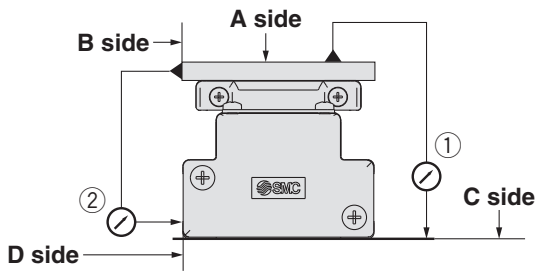
11-LEFG Series ▶ p. 193

Rated Load

Unit: N

Rated load	LEFG16	LEFG25	LEFG32	LEFG40
Basic dynamic rated load	6250	8950	16500	22700
Basic static rated load	8350	13900	22000	34500

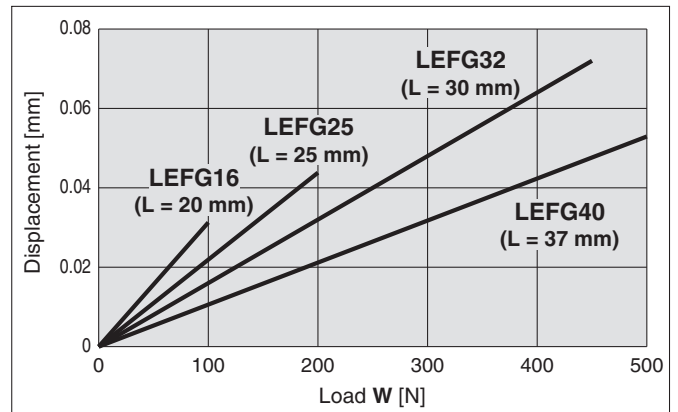
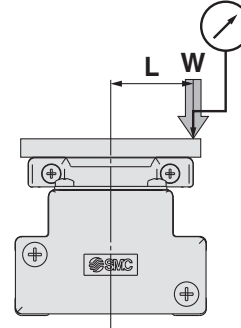
Table Accuracy (Reference Value)



Model	Travelling parallelism [mm] (Every 300 mm)	
	① C side travelling parallelism to A side	② D side travelling parallelism to B side
LEFG16	0.05	0.03
LEFG25	0.05	0.03
LEFG32	0.05	0.03
LEFG40	0.05	0.03

* Travelling parallelism does not include the mounting surface accuracy.
(Excludes when the stroke exceeds 2000 mm)

Table Displacement (Reference Value)



* This displacement is measured when a 15 mm aluminium plate is mounted and fixed on the table.

* Check the clearance and play of the guide separately.

Support Guide

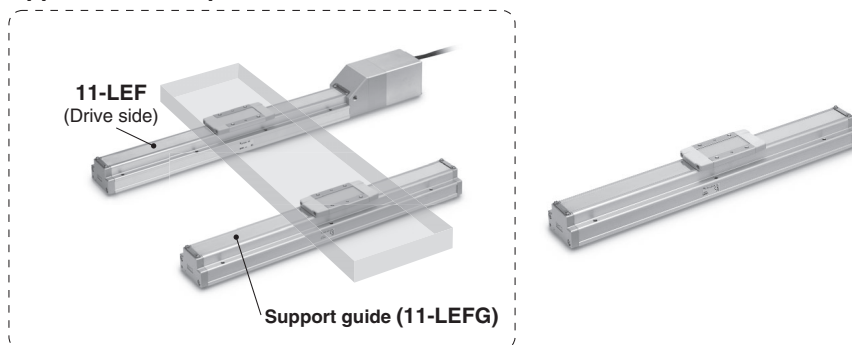
11-LEFG Series 11-LEFG16, 25, 32, 40

RoHS

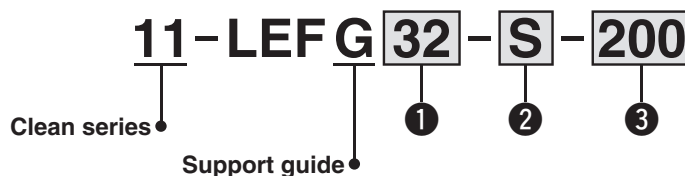
Application example

The support guide was designed to support workpieces with significant overhang.

- As the dimensions are the same as the 11-LEF series body, installation is simple and contributes to a reduction in installation and assembly labour.
- The standard-equipped seal bands prevent grease from splashing and external foreign matter from entering.



How to Order



① Size

16
25
32
40

② Type of mounting pitch

Symbol	11-LEFG16	11-LEFG25	11-LEFG32	11-LEFG40	Note
S	●	●	●	●	Ball screw drive Step motor/Servo motor (24 VDC)/AC servo motor

③ Stroke [mm]

50	50
to	to
1000	1000

Applicable Stroke Table

Ball Screw Drive: S

Step Motor (Servo/24 VDC) Servo Motor (24 VDC) AC Servo Motor

Model \ Stroke [mm]	50	100	150	200	250	300	350	400	450	500	550	600	650	700	750	800	850	900	950	1000
11-LEFG16-S	●	●	●	●	●	●	●	●	●	●	—	—	—	—	—	—	—	—	—	—
11-LEFG25-S	●	●	●	●	●	●	●	●	●	●	●	●	—	—	—	—	—	—	—	—
11-LEFG32-S	●	●	●	●	●	●	●	●	●	●	●	●	●	●	●	●	—	—	—	—
11-LEFG40-S	—	—	●	●	●	●	●	●	●	●	●	●	●	●	●	●	●	●	●	●

Weight

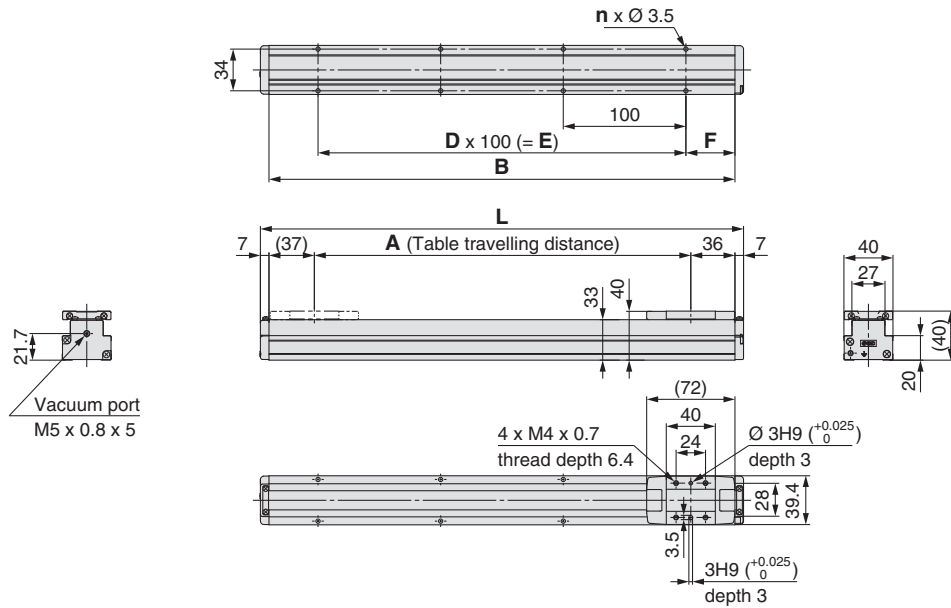
Ball Screw Drive: S

Step Motor (Servo/24 VDC) Servo Motor (24 VDC) AC Servo Motor

Model \ Stroke [mm]	50	100	150	200	250	300	350	400	450	500	550	600	650	700	750	800	850	900	950	1000
11-LEFG16-S	0.25	0.31	0.37	0.43	0.49	0.55	0.61	0.67	0.73	0.79	—	—	—	—	—	—	—	—	—	—
11-LEFG25-S	0.56	0.67	0.78	0.89	1.00	1.11	1.22	1.33	1.44	1.55	1.66	1.77	—	—	—	—	—	—	—	—
11-LEFG32-S	0.92	1.08	1.23	1.4	1.56	1.72	1.88	2.04	2.20	2.36	2.52	2.88	2.84	3.00	3.16	3.22	—	—	—	—
11-LEFG40-S	—	—	2.07	2.29	2.51	2.72	2.94	3.15	3.37	3.58	3.80	4.01	4.23	4.44	4.66	4.87	5.09	5.30	5.52	5.73

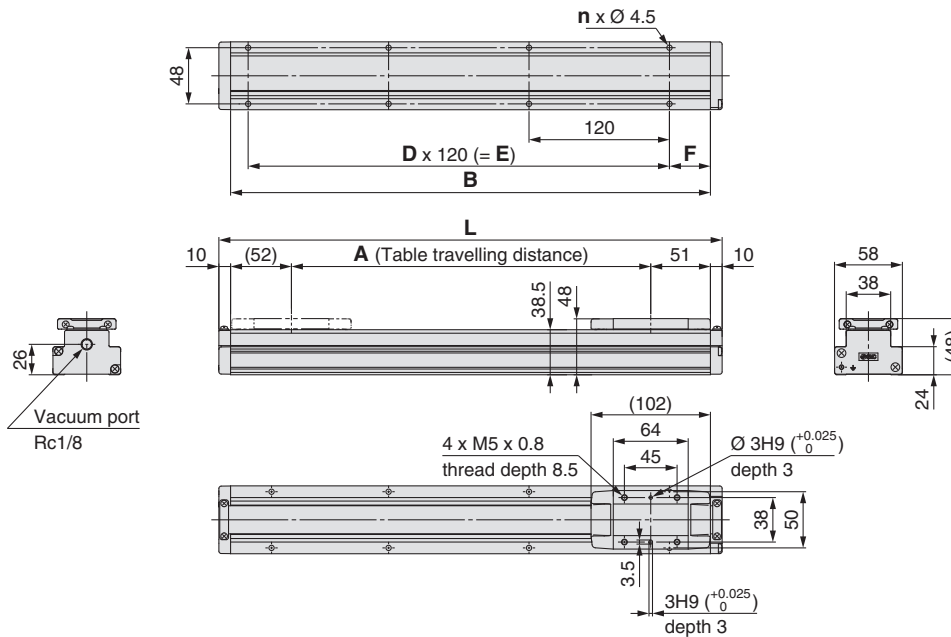
Dimensions: Ball Screw Drive

11-LEFG16-S



Model	L	A	B	n	D	E	F
11-LEFG16-S-50	144	57	130	4	—	—	15
11-LEFG16-S-100	194	107	180				
11-LEFG16-S-150	244	157	230				
11-LEFG16-S-200	294	207	280				
11-LEFG16-S-250	344	257	330	6	2	200	40
11-LEFG16-S-300	394	307	380				
11-LEFG16-S-350	444	357	430				
11-LEFG16-S-400	494	407	480	10	4	400	
11-LEFG16-S-450	544	457	530				
11-LEFG16-S-500	594	507	580	12	5	500	

11-LEFG25-S



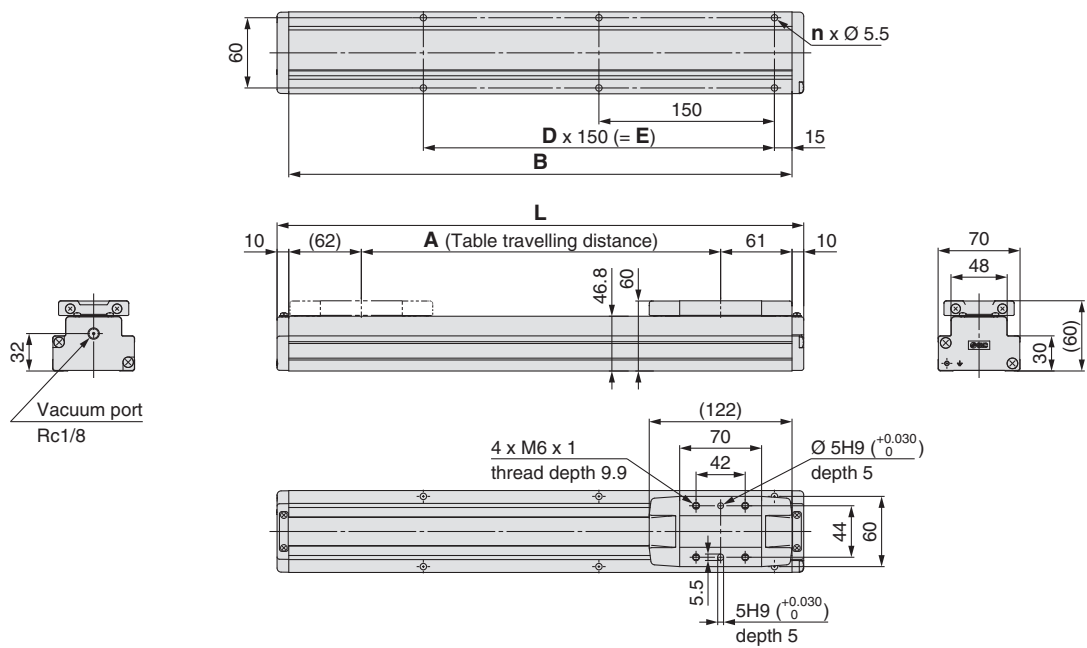
Model	L	A	B	n	D	E	F
11-LEFG25-S-50	180	57	160	4	—	—	20
11-LEFG25-S-100	230	107	210				
11-LEFG25-S-150	280	157	260				
11-LEFG25-S-200	330	207	310	6	2	240	35
11-LEFG25-S-250	380	257	360				
11-LEFG25-S-300	430	307	410	8	3	360	
11-LEFG25-S-350	480	357	460				
11-LEFG25-S-400	530	407	510				

Model	L	A	B	n	D	E	F
11-LEFG25-S-450	580	457	560	10	4	480	35
11-LEFG25-S-500	630	507	610				
11-LEFG25-S-550	680	557	660	12	5	600	
11-LEFG25-S-600	730	607	710				

11-LEFG Series

Dimensions: Ball Screw Drive

11-LEFG32-S



Dimensions

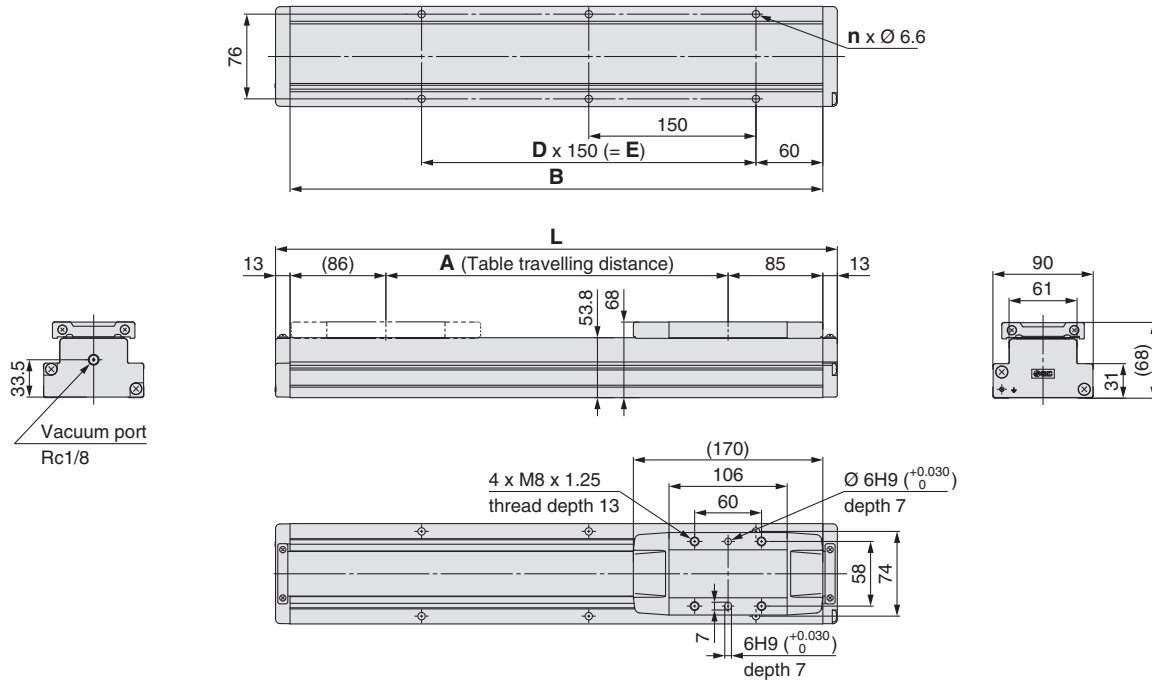
Model	L	A	B	n	D	E
11-LEFG32-S-50	200	57	180	4	—	—
11-LEFG32-S-100	250	107	230			
11-LEFG32-S-150	300	157	280			
11-LEFG32-S-200	350	207	330	6	2	300
11-LEFG32-S-250	400	257	380			
11-LEFG32-S-300	450	307	430			
11-LEFG32-S-350	500	357	480			
11-LEFG32-S-400	550	407	530			
11-LEFG32-S-450	600	457	580	8	3	450

Dimensions

Model	L	A	B	n	D	E
11-LEFG32-S-500	650	507	630	10	4	600
11-LEFG32-S-550	700	557	680			
11-LEFG32-S-600	750	607	730			
11-LEFG32-S-650	800	657	780	12	5	750
11-LEFG32-S-700	850	707	830			
11-LEFG32-S-750	900	757	880			
11-LEFG32-S-800	950	807	930	14	6	900

Dimensions: Ball Screw Drive

11-LEFG40-S



Dimensions [mm]							
Model	L	A	B	n	D	E	
11-LEFG40-S-150	354	157	328	4	—	150	
11-LEFG40-S-200	404	207	378	6	2	300	
11-LEFG40-S-250	454	257	428				
11-LEFG40-S-300	504	307	478	8	3	450	
11-LEFG40-S-350	554	357	528				
11-LEFG40-S-400	604	407	578				
11-LEFG40-S-450	654	457	628	10	4	600	
11-LEFG40-S-500	704	507	678				
11-LEFG40-S-550	754	557	728				
11-LEFG40-S-600	804	607	778				

Dimensions [mm]							
Model	L	A	B	n	D	E	
11-LEFG40-S-650	854	657	828	12	5	750	
11-LEFG40-S-700	904	707	878				
11-LEFG40-S-750	954	757	928	14	6	900	
11-LEFG40-S-800	1004	807	978				
11-LEFG40-S-850	1054	857	1028				
11-LEFG40-S-900	1104	907	1078	16	7	1050	
11-LEFG40-S-950	1154	957	1128				
11-LEFG40-S-1000	1204	1007	1178				



TRAFFA
TECHNISCHES BÜRO