

# Traffa

**Konformitätserklärung seit April 2016  
Elektrischer Greifer LEH**



Technisches Büro Traffa



*Innovative Antriebslösungen*

*Der optimale Antrieb individuell für Ihre Anforderung*



## EU DECLARATION OF CONFORMITY

SMC Corporation  
4-14-1 Soto-Kanda, Chiyoda-ku, Tokyo 101-0021 Japan

declares under its sole responsibility, that the following equipment:

### Electric Actuators

Series LEHZ(J)####-###-##### (Motor: Step [servo 24VDC] / Servo [24VDC] )

Series LEHF###-##-##### (Motor: Step [servo 24VDC] / Servo [24VDC] )

Series LEHS#####-##-##### (Motor: Step [servo 24VDC] / Servo [24VDC] )

Batch codes: **JZ onwards and bearing the G mark on the product or packaging**

is in conformity with the relevant Union harmonisation legislation and has been demonstrated to fulfil the requirements with reference to the harmonised or applied standard(s) as listed below:

Directive	Requirements	Harmonised standards
EMC Directive 2014/30/EU	Essential requirements set out in Annex I	EN 61000-6-2: 2005 EN 61000-6-3: 2007
RoHS Directive 2011/65/EU	Restriction of substances as set out in Annex II	EN50581:2012

### Importer/Distributor in EU and EFTA:

Country	Company	Telephone	Address
Austria	SMC Pneumatik GmbH (Austria)	(43) 2262-62280	Girakstrasse 8, AT-2100 Korneuburg
Belgium	SMC Pneumatics N.V./S.A.	(32) 3-355-1464	Nijverheidsstraat 20, B-2160 Wommelgem
Bulgaria	SMC Industrial Automation Bulgaria EOOD	(359) 2 9744492	Business Park Sofia, Building 8-6th Floor, BG-1715 Sofia
Croatia	SMC Industrijska Automatika d.o.o.	(385) 1 370 72 88	Zagrebačka Avenija 104,10 000 Zagreb
Czech Republic	SMC Industrial Automation CZ s.r.o.	(420) 541-424-611	Hudcova 78a CZ-61200 Brno
Denmark	SMC Pneumatik A/S	(45) 70 25 29 00	Egeskovvej 1, DK-8700 Horsens
Estonia	SMC Pneumatics Estonia OÜ	(372) 651-0370	Laki 12, EE-10621 Tallinn
Finland	SMC Pneumatiikka Finland Oy	(358) 207 513 513	PL72, Tiistiniityntie 4, SF-02031 Espoo
France	SMC France	(33) 1-6476-1000	1 Boulevard de Strasbourg, Parc Gustave Eiffel, Bussy Saint Georges, F-77607, Marne La Vallee, Cedex 3
Germany	SMC Pneumatik GmbH	(49) 6103-402-0	Boschring 13-15, D-63329 Egelsbach
Greece	SMC Italia Hellas Branch	(30) 210-2717265	Anagenniseos 7-9 - P.C. 14342, Nea Philadelphia, Athens
Hungary	SMC Hungary Ipari Automatizálási Kft.	(36) 23-511-390	Torbágy u. 19, HU-2045 Törökbálint
Ireland	SMC Pneumatics (Ireland) Ltd.	(353) 1-403-9000	2002 Citywest Business Campus, Naas Road, Saggart, Co. Dublin
Italy	SMC Italia S.p.A.	(39) 02-9271-1	Via Garibaldi, 62, I-20061 Carugate, Milano
Latvia	SMC Pneumatics Latvia SIA	(371)781-77-00	Dzelzavas str. 120g, Riga, LV-1021
Lithuania	SMC Pneumatics Lietuva,UAB	(370)5-264-81-26	Oslo g.1, LT-04123 Vilnius
Netherlands	SMC Pneumatics B.V.	(31) 20-531-8888	De Ruyterkade 120, NL-1011 AB Amsterdam
Norway	SMC Pneumatics Norway AS	(47) 67-12-90-20	Vollsvæien 13c, Granfoss Næringspark, N-1366 Lysaker
Poland	SMC Industrial Automation Polska Sp. zo.o	(48) 22 211 96 00	ul. Poloneza 89, PL-02-826 Warszawa
Portugal	SMC Sucursal Portugal, S.A.	(351) 945-184 100	Rua De Eng Ferrerira Dias 452 4100-246,Porto
Romania	SMC Romania S.r.l.	(40)21-3205111	Str. Frunzei, Nr.29, Sector 2 Bucharest
Slovakia	SMC Priemyselna Automatizacia, Spol s.r.o.	(421) 41-321321-1	Fantranská 1223, Teplicka nad vahom, 01301
Slovenia	SMC Industrijska Avtomatika d.o.o.	(386) 7388 5412	Mirnska cesta 7, SLO-8210 Trebnje
Spain	SMC España, S.A.	(34) 945-184-100	Zuazobidea 14, 01015 Vitoria
Sweden	SMC Pneumatics Sweden AB	(46) 8-603-12-00	Ekhagsvägen 29-31, SE-14171 Segeltorp
Switzerland	SMC Pneumatik AG	(41) 052-396-3131	Dorfstrasse 7, Postfach 117, CH-8484, Weisslingen
United Kingdom	SMC Pneumatics (U.K.) Ltd.	(44) 1908-563888	Vincent Avenue, Crownhill, Milton Keynes, Bucks MK8 0AN



LIST OF MODEL NUMBER

LEHZ(J)####-##-#####

1###
2###
6###
A###
C###
(None)

LEHF###-##-#####

1###
2###
6###
A###
C###
(None)

LEHS#####-##-#####

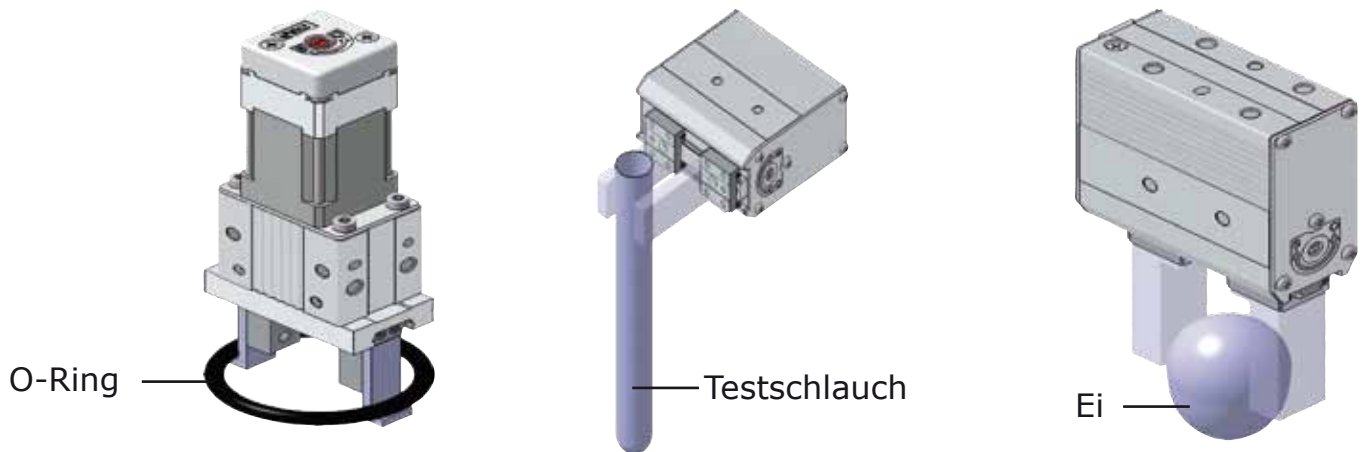
1###
2###
6###
A###
C###
(None)

Note) In the case of special product, it is added the "-X#" at end of model number. However, any product without the CE mark is excluded.

Tokyo, Date: 22<sup>nd</sup> July 2017

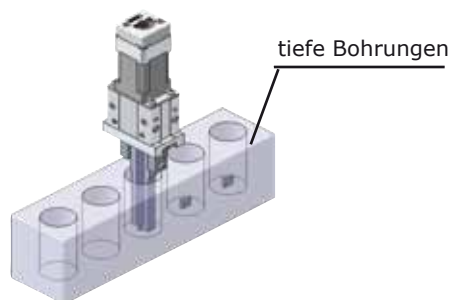
Sanae Nakamura  
General Manager  
Product Development Division - 3

## Greifen von leicht verformbaren oder beschädigten Teilen



Steuerung der Geschwindigkeit und der Haltekraft, Positionieren

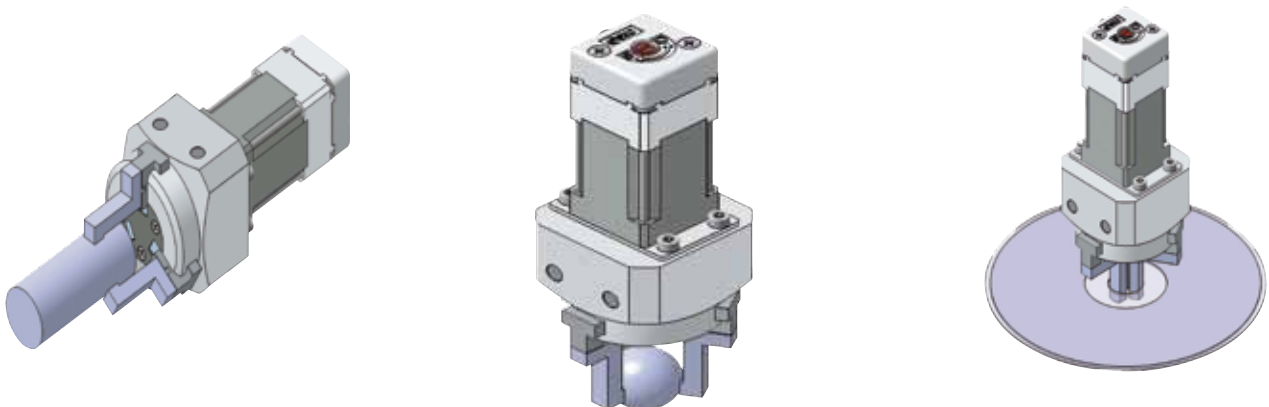
Enge Umgebungen



Weicher Griff



## Greifen von zylindrischen und halbrunden Teilen



Steuerung der Geschwindigkeit und der Haltekraft

Zentrale:  
**TBT Technisches Büro Traffa e.K.**  
Theodor-Heuss-Str. 8  
D- 71336 Waiblingen  
Tel.: +49 (0) 71 51 / 604 24-0  
Fax.: +49 (0) 71 51 / 604 24-40  
E-Mail: info@traffa.de  
Web: www.traffa.de

NL Bayern:  
**TBT Technisches Büro Traffa e.K.**  
Schöneckerstr. 4  
D- 91522 Ansbach  
Tel.: +49 (0) 981 / 48 78 66-50  
Fax.: +49 (0) 981 / 48 78 66-55  
E-Mail: mail@traffa.de  
Web: www.traffa.de