

Traffa

Konformitätserklärung seit April 2016
LECP1 SchrittmotorController



Technisches Büro Traffa



Innovative Antriebslösungen

Der optimale Antrieb individuell für Ihre Anforderung



EU DECLARATION OF CONFORMITY

SMC Corporation
4-14-1 Soto-Kanda, Chiyoda-ku, Tokyo 101-0021 Japan

declares under its sole responsibility, that the following equipment:

Controller for Electric Actuators
LECP1#-# Series, LECP2#-# Series

Batch codes: Oy onwards and bearing the G mark on the product or packaging

is in conformity with the relevant Union harmonisation legislation and has been demonstrated to fulfil the requirements with reference to the harmonised or applied standard(s) as listed below:

| Directive | Requirements | Harmonised standards |
|------------------------------|---|--|
| EMC Directive 2014/30/EU | Essential requirements set out in Annex I | EN 61000-6-2:2005 EN 55011:2009+A1:2010 |
| RoHS Directive 2011/65/EU | Restriction of substances as set out in Annex II | EN 50581:2012 |

Importer/Distributor in EU and EFTA:

| Country | Company | Telephone | Address |
|----------------|--|-------------------|--|
| Austria | SMC Pneumatik GmbH (Austria) | (43) 2262-62280 | Girakstrasse 8, AT-2100 Korneuburg |
| Belgium | SMC Pneumatics N.V./S.A. | (32) 3-355-1464 | Nijverheidsstraat 20, B-2160 Wommelgem |
| Bulgaria | SMC Industrial Automation Bulgaria EOOD | (359) 2 9744492 | Business Park Sofia, Building 8-6th Floor, BG-1715 Sofia |
| Croatia | SMC Industrijska Automatika d.o.o. | (385) 1 370 72 88 | Zagrebačka Avenija 104, 10 000 Zagreb |
| Czech Republic | SMC Industrial Automation CZ s.r.o. | (420) 541-424-611 | Hudcova 78a CZ-61200 Brno |
| Denmark | SMC Pneumatik A/S | (45) 70 25 29 00 | Egeskovvej 1, DK-8700 Horsens |
| Estonia | SMC Pneumatics Estonia OÜ | (372) 651-0370 | Laki 12, EE-10621 Tallinn |
| Finland | SMC Pneumatiikka Finland Oy | (358) 207 513 513 | PL72, Tiistinniityntie 4, SF-02031 Espoo |
| France | SMC France | (33) 1-6476-1000 | 1 Boulevard de Strasbourg, Parc Gustave Eiffel, Bussy Saint Georges, F-77607, Marne La Vallee, Cedex 3 |
| Germany | SMC Pneumatik GmbH | (49) 6103-402-0 | Boschring 13-15, D-63329 Egelsbach |
| Greece | SMC Italia Hellas Branch | (30) 210-2717265 | Anagenniseos 7-9 - P.C. 14342, Nea Philadelphia, Athens |
| Hungary | SMC Hungary Ipari Automatizálási Kft. | (36) 23-511-390 | Torbágy u. 19, HU-2045 Törökbálint |
| Ireland | SMC Pneumatics (Ireland) Ltd. | (353) 1-403-9000 | 2002 Citywest Business Campus, Naas Road, Saggart, Co. Dublin |
| Italy | SMC Italia S.p.A. | (39) 02-9271-1 | Via Garibaldi, 62, I-20061 Carugate, Milano |
| Latvia | SMC Pneumatics Latvia SIA | (371) 781-77-00 | Dzelzavas str. 120g, Riga, LV-1021 |
| Lithuania | SMC Pneumatics Lietuva, UAB | (370) 5-264-81-26 | Oslo g. 1, LT-04123 Vilnius |
| Netherlands | SMC Pneumatics B.V. | (31) 20-531-8888 | De Ruyterkade 120, NL-10111 AB Amsterdam |
| Norway | SMC Pneumatics Norway AS | (47) 67-12-90-20 | Vollsveien 13c, Granfoss Næringspark, N-1366 Lysaker |
| Poland | SMC Industrial Automation Polska Sp. zo.o | (48) 22 211 96 00 | ul. Poloneza 89, PL-02-826 Warszawa |
| Portugal | SMC Sucursal Portugal, S.A. | (351) 945-184 100 | Rua De Eng Ferrerira Dias 452 4100-246, Porto |
| Romania | SMC Romania S.r.l. | (40) 21-3205111 | Str. Frunzei, Nr.29, Sector 2 Bucharest |
| Slovakia | SMC Priemyselna Automatizacia, Spol s.r.o. | (421) 41-321321-1 | Fantranská 1223, Teplicka nad vahom, 01301 |
| Slovenia | SMC Industrijska Avtomatika d.o.o. | (386) 7388 5412 | Mirnska cesta 7, SLO-8210 Trebnje |
| Spain | SMC España, S.A. | (34) 945-184-100 | Zuazobidea 14, 01015 Vitoria |
| Sweden | SMC Pneumatics Sweden AB | (46) 8-603-12-00 | Ekhagsvägen 29-31, SE-14171 Segeltorp |
| Switzerland | SMC Pneumatik AG | (41) 052-396-3131 | Dorfstrasse 7, Postfach 117, CH-8484, Weisslingen |
| United Kingdom | SMC Pneumatics (U.K.) Ltd. | (44) 1908-563888 | Vincent Avenue, Crownhill, Milton Keynes, Bucks MK8 0AN |



LIST OF MODEL NUMBER

LECP1### - ##### -##
 LECP2### - ##### -##

| |
|----------------|
| LEHZ###K2-## |
| LEHZJ###K2-## |
| LEHF##K2-## |
| LEHS###K3-## |
| LES#####-## |
| LESH#####-## |
| LEFS#####-#### |
| LEFB###T-#### |
| LEY#####-### |
| LEYG#####-### |
| LER####-# |
| LEL25#T-### |
| LEPY####-## |
| LEPS####-## |
| LEM#####T-#### |

Note)
 In the case of special product, it is added the "-X#" at end of model number.
 However, any product without the CE mark is excluded.

Tokyo, Date: 22nd July 2017


 Fumio Morikawa
 General Manager
 Product Development Division – 5

Kompatible elektrische Antriebe:



Elektrischer Greifer
Serie **LEH**



Elektrischer Kompaktschlitten
Serie **LES**



Elektrischer Zylinder/
mit Führungsstange
Serie **LEffY**



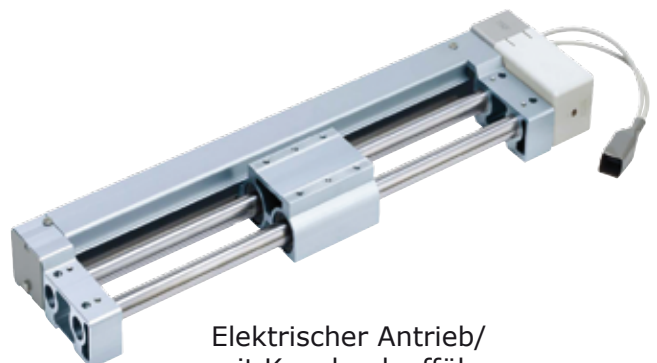
Elektrischer Antrieb/
Schwenkausführung
Serie **LER**



Elektrischer Antrieb/
mit Kugelumlaufführung
Serie **LEF**



Elektrischer Antrieb/
Miniaturausführung
Serie **LEP**



Elektrischer Antrieb/
mit Kugelumlaufführung
Serie **LEL**

Zentrale:

TBT Technisches Büro Traffa e.K.

Theodor-Heuss-Str. 8

D- 71336 Waiblingen

Tel.: +49 (0) 71 51 / 604 24 -0

Fax.: +49 (0) 71 51 / 604 24 40

E-Mail: info@traffa.de

Web: www.traffa.de

NL Bayern:

TBT Technisches Büro Traffa e.K.

Schöneckerstr. 4

D- 91522 Ansbach

Tel.: +49 (0) 981 / 48 78 66-50

Fax.: +49 (0) 981 / 48 78 66-55

E-Mail: mail@traffa.de

Web: www.traffa.de