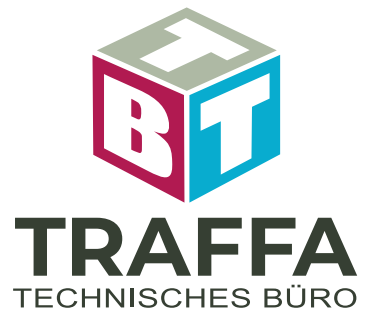


Traffa

**Konformitätserklärung bis April 2016
Niedrige LinearSysteme LEM**



Innovative Antriebslösungen

Der optimale Antrieb individuell für Ihre Anforderung



EC DECLARATION OF CONFORMITY

SMC Corporation

4-14-1 Soto-Kanda, Chiyoda-ku, Tokyo 101-0021 Japan

declares under sole responsibility that the following equipment:

Electric Actuator Series LEH , LES , LEF , LEY , LER , LEL , LEP , LEM

Controller Series LECP6

Teaching Box Series LEC-T1

conforms with the following directive(s) and harmonized standards:

Directive		Harmonized standards
EMC Directive	2004/108/EC	EN 61000-6-2:2005 EN55011:2007 + A2:2007

Importer/Distributor in EU and EFTA:

Country	Company	Phone	Address
Austria	SMC Pneumatik GmbH (Austria)	(43) 2262-62280-0	Girakstrasse 8, A-2100 Korneuburg
Belgium	SMC Pneumatics N.V./S.A.	(32) 3-355-1464	Nijverheidsstraat 20, B-2160 Wommelgem
Czech Republic	SMC Industrial Automation CZ s.r.o.	(420) 541-424-611	Hudcova 78a CZ-61200 Brno
Denmark	SMC Pneumatik A/S	(45) 7025-2900	Knudsminde 4 B, DK-8300 Odder
Finland	SMC Pneumatikka Finland Oy	(358) 207-513-513	Veneentekijäntie 7, 00210 Helsinki
France	SMC Pneumatique S.A.	(33) 1-6476-1000	1 Boulevard de Strasbourg, Parc Gustave Eiffel, Bussy Saint Georges, F-77600 Marne La Vallée Cedex 3
Germany	SMC Pneumatik GmbH	(49) 6103-402-0	Boschring 13-15, D-63329 Egelsbach
Greece	SMC Hellas E.P.E	(30) 210-2717265	Anagenniseos 7-9 - P.C. 14342, Nea Filadelfeia, Athens
Hungary	SMC Hungary Ipari Automatizálási Kft.	(36) 23-511-390	Torbágy u. 19, H-2045 Törökbálint
Ireland	SMC Pneumatics (Ireland) Ltd.	(353) 1-403-9000	2002 Citywest Business Campus, Naas Road, Saggart, Co. Dublin
Italy	SMC Italia S.p.A.	(39) 02-9271-1	Via Garibaldi, 62, I-20061 Carugate, Milano
Netherlands	SMC Pneumatics B.V.	(31) 20-531-8888	De Ruyterkade 120, NL-1011 AB Amsterdam
Norway	SMC Pneumatics Norway AS	(47) 67-12-90-20	Vollsveien 13c, Granfoss Næringspark, 1366 Lysaker
Poland	SMC Industrial Automation Polska Sp. z.o.o	(48) 22-211-9600	ul. Konstruktorska, 11A, PL-02-673 Warszawa
Portugal	SMC Sucursal Portugal, S.A.	(351) 21-471-1880	Alameda dos Moinhos 9-G, 2720-381 Alfragide (Lisboa)
Slovakia	SMC Priemyselná Automatizácia Spol s.r.o.	(421) 2-4455-6725	Nám M. Benku 10 SK-81107 Bratislava
Slovenia	SMC Industrijska Avtomatika d.o.o.	(386) 73-885-412	Mirnska cesta 7, SLO-8210 Trebnje
Spain	SMC España, S.A.	(34) 945-184-100	Zuazobidea 14, 01015 Vitoria
Sweden	SMC Pneumatics Sweden AB	(46) 8-603-12-00	Box 5017 Ekhagsvägen 29-31, S-14171 Segeltorp
Switzerland	SMC Pneumatik AG	(41) 52-396-3131	Dorfstrasse 7, Postfach 117 CH-8484, Weisslingen
U.K.	SMC Pneumatics (U.K.) Ltd.	(44) 1908-563888	Vincent Avenue, Crownhill, Milton Keynes, Bucks MK8 0AN

Tokyo, 25th Mar 2013

Yoshihiro Fukano

General Manager

Product Development Division – VII



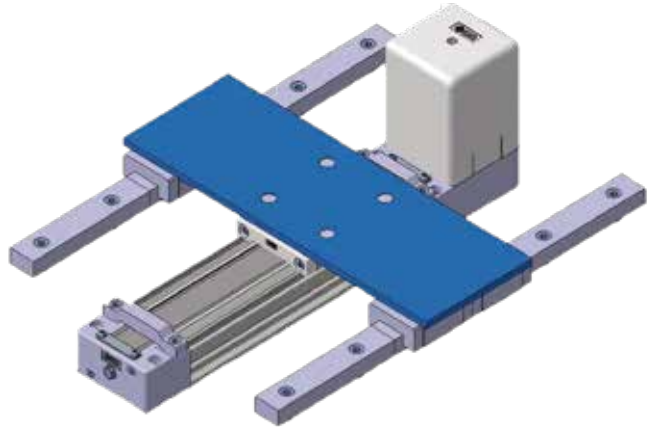
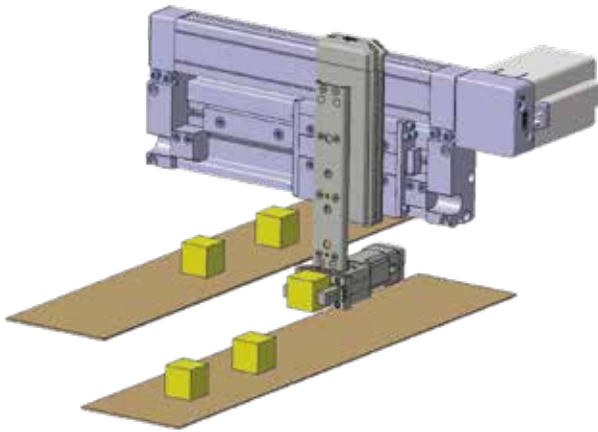
LIST OF MODEL NAMES

Applicable Controller	Applicable Teaching Box	Applicable Electric Actuator
LECP6*	LEC-T1-*	LEHZ*
		LEHF*
		LEHS*
		LES**R*
		LES**L*
		LES**D*
		LEFS*/ 11-LEFS*
		LEFB*
		LEY*
		LEY*R*
		LEY*L*
		LEY*D*
		LEYG*M*
		LEYG*L*
		LEYG*MD*
		LEYG*LD*
		LER*
		LEL*
		LEPY*
		LEPS*
LEM*		

Note)

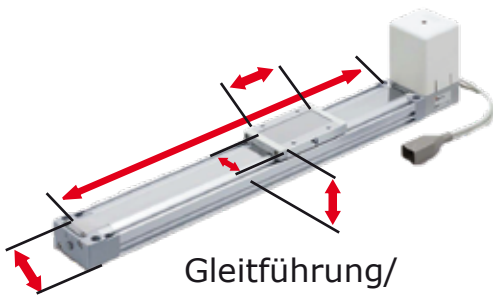
In the case of special product, it is added the "-X*" at end of model number.
But, the product to which the CE mark is not marked is excluded.

Anwendungsbeispiele

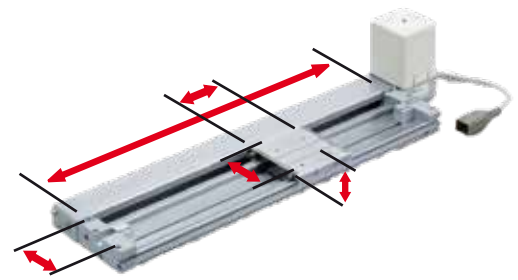


Montagemöglichkeiten

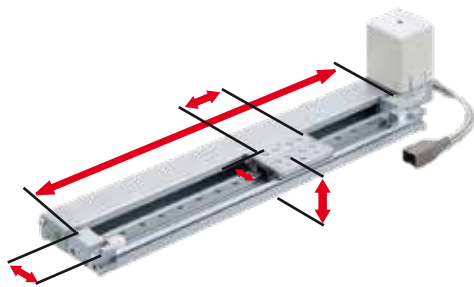
Montage ist austauschbar mit der Serie E-MY



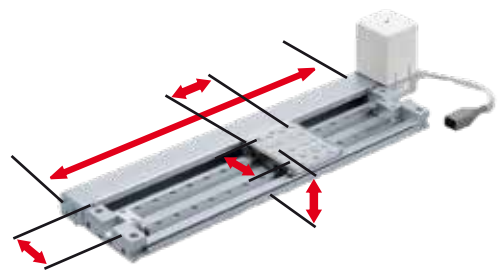
Gleitführung/
LEMB



Ausführung mit Kreuzrollenführung/
LEMC



einfache Kugelumlauführung/
LEMH



doppelte Kugelumlauführung/
LEMHT