

Traffa

**Konformitätserklärung bis April 2016
Flache Linearsysteme LEJ/LEL**



Technisches Büro Traffa



Innovative Antriebslösungen

Der optimale Antrieb individuell für Ihre Anforderung



EC DECLARATION OF CONFORMITY

SMC Corporation

4-14-1 Soto-Kanda, Chiyoda-ku, Tokyo 101-0021 Japan

declares under sole responsibility that the following equipment:

Electric Actuator Series LEH , LES , LEF , LEY , LER , LEL , LEP
Controller Series LECPA

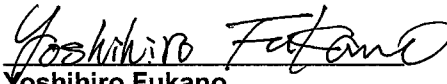
conforms with the following directive(s) and harmonized standards:

Directive		Harmonized standards
EMC Directive	2004/108/EC	EN 61000-6-2: 2005 EN55011:2009 + A1:2010

Importer/Distributor in EU and EFTA:

Country	Company	Telephone	Address
Austria	SMC Pneumatik GmbH (Austria)	(43) 2262-62280-0	Girakstrasse 8, AT-2100 Korneuburg
Belgium	SMC Pneumatics N.V./S.A.	(32) 3-355-1464	Nijverheidsstraat 20, B-2160 Wommelgem
Bulgaria	SMC Industrial Automation Bulgaria EOOD	(359) 2 9744492	Business Park Sofia, Building 8-6th Floor, BG-1715 Sofia
Czech Republic	SMC Industrial Automation CZ s.r.o.	(420) 541-426-611	Hudcova 78a CZ-61200 Brno
Denmark	SMC Pneumatik A/S	(45) 70 25 29 00	Egeskovvej 1, DK-8700 Horsens
Estonia	SMC Pneumatics Estonia OÜ	(372)651-0370	Laki 12, EE-10621 Tallinn
Finland	SMC Pneumatikka Finland Oy	(358) 20 7513 513	PL72, Tiistinniityntie 4, SF-02231 Espoo
France	SMC Pneumatique S.A.	(33) 1-6476-1000	1 Boulevard de Strasbourg, Parc Gustave Eiffel, Bussy Saint Georges, F-77600
Germany	SMC Pneumatik GmbH	(49) 6103-402-0	Boschring 13-15, D-63329 Egelsbach
Greece	SMC Hellas E.P.E	(30) 210-2717265	Anagenniseos 7-9 - P.C. 14342, Nea Philadelphia, Athens
Hungary	SMC Hungary Ipari Automatizálási Kft.	(36) 23-511-390	Torbágy u. 19, HU-2045 Törökbálint
Ireland	SMC Pneumatics (Ireland) Ltd.	(353) 1-403-9000	2002 Citywest Business Campus, Naas Road, Saggart, Co. Dublin
Italy	SMC Italia S.p.A.	(39) 02-9271-1	Via Garibaldi, 62, I-20061 Carugate, Milano
Latvia	SMC Pneumatics Latvia SIA	(371)781-77-00	Šmerļa ielā, 1-705, Rīga LV-1006
Lithuania	SMC Pneumatics Lietuva,UAB	(370)5-264-81-26	Oslo g.1, LT-04123 Vilnius
Netherlands	SMC Pneumatics B.V.	(31) 20-531-8888	De Ruyterkade 120, NL-1011 AB Amsterdam
Norway	SMC Pneumatics Norway AS	(47) 67-12-90-20	Vollsveien 13c, Granfoss Næringspark, N-1366 Lysaker
Poland	SMC Industrial Automation Polska Sp. zo.o	(48) 22 211 96 00	ul. Poloneza 89, PL-02-826 Warszawa
Portugal	SMC Sucursal Portugal, S.A.	(351) 22 616 6570	Rua De Eng Ferrerira Dias 452 4100-246,Porto
Romania	SMC Romania S.r.l.	(40)21-3205111	Str. Frunzei, Nr.29, Sector 2 Bucharest, Romania
Slovakia	SMC Priemyselna Automatizacia, s.r.o.	(421) 2-444 56 725	Námestie Matina Benku, 10, 81107 Bratislava
Slovenia	SMC Industrijska Avtomatika d.o.o.	(386) 7388 5412	Mirnska cesta 7, SLO-8210 Trebnje
Spain	SMC España, S.A.	(34) 945-184-100	Zuazobidea 14, 01015 Vitoria
Sweden	SMC Pneumatics Sweden AB	(46) 8-603-12-00	Ekhagsvägen 29-31, SE-14171 Segeltorp
Switzerland	SMC Pneumatik AG	(41) 52-396-3131	Dorfstrasse 7, Postfach 117 CH-8484, Weisslingen
United Kingdom	SMC Pneumatics (U.K.) Ltd.	(44) 1908-563888	Vincent Avenue, Crownhill, Milton Keynes, Bucks MK8 0AN

Tokyo, 30th Mar 2012


Yoshihiro Fukano
 General Manager
 Product Development Division – VII



LIST OF MODEL NAMES

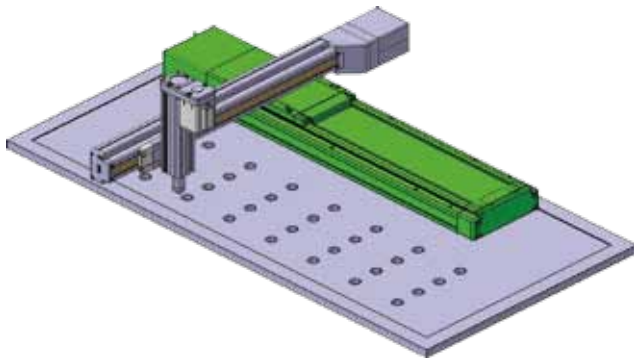
Applicable Controller	Applicable Electric Actuator
LECPA*	LEHZ*
	LEHF*
	LEHS*
	LESH*R*-*
	LESH*L*-*
	LESH*D*-*
	LEFS***
	LEFB***
	LEY***
	LEY*R*-*
	LEY*L*-*
	LEY*D*-*
	LEYG*M*-*
	LEYG*L*-*
	LEYG*MD*-*
	LEYG*LD*-*
	LER*
	LEL***
	LEPY-*
	LEPS-*

Note)

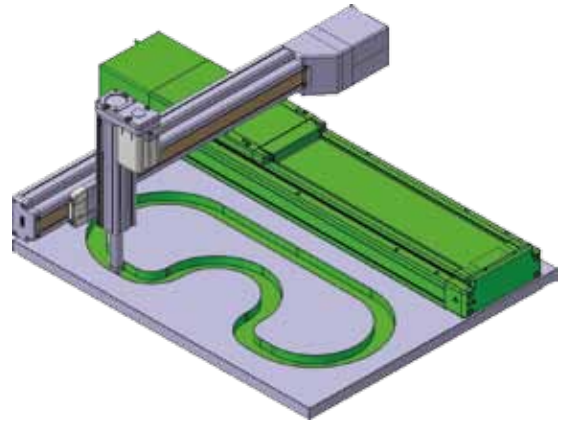
In the case of special product, it is added the "-X*" at end of model number.
But, the product to which the CE mark is not marked is excluded.

Montagemöglichkeiten

Pick-and-Place-Anwendungen

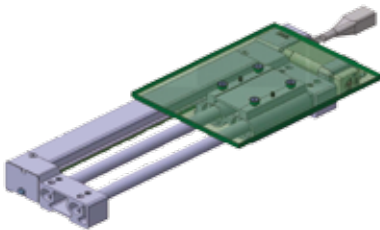


Klebstoffspender-/Hochgeschwindigkeits-Bahn

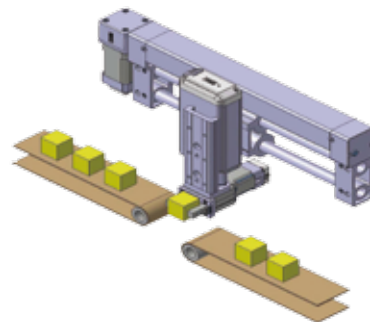


Anwendungsbeispiele

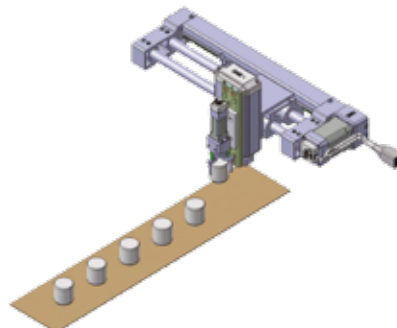
Lade- und Entladetransfer von Werkstücken



Anwendungen mit begrenztem Platz



Pick-and-Place-Anwendungen



Zentrale:
TBT Technisches Büro Traffa e.K.
Theodor-Heuss-Str. 8
D- 71336 Waiblingen
Tel.: +49 (0) 71 51 / 604 24-0
Fax.: +49 (0) 71 51 / 604 24-40
E-Mail: info@traffa.de
Web: www.traffa.de

NL Bayern:
TBT Technisches Büro Traffa e.K.
Schöneckerstr. 4
D- 91522 Ansbach
Tel.: +49 (0) 981 / 48 78 66-50
Fax.: +49 (0) 981 / 48 78 66-55
E-Mail: mail@traffa.de
Web: www.traffa.de